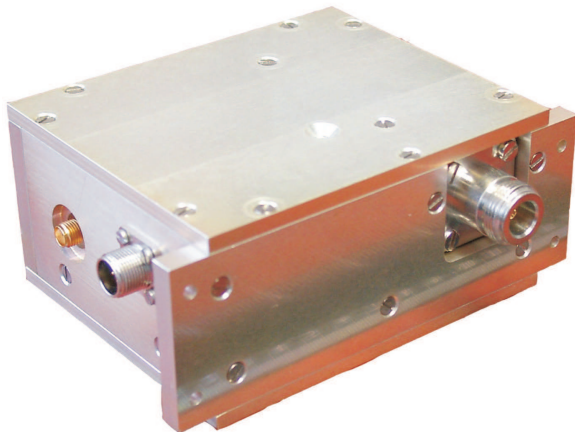


Picosecond pulse generator PPG-5/16

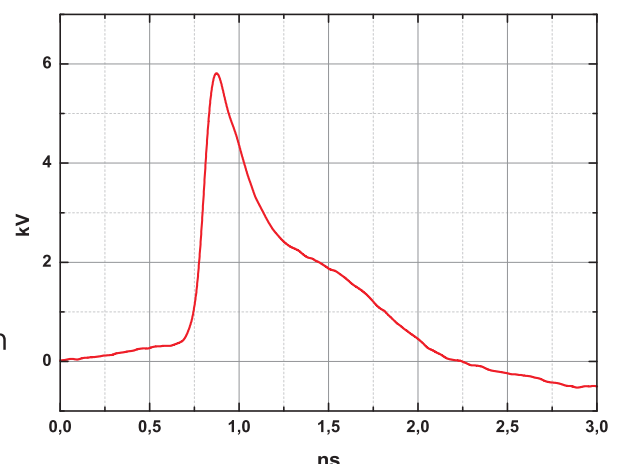


- Compact
- Long operation life time
- Extremely high voltage rise rate
- Low jitter

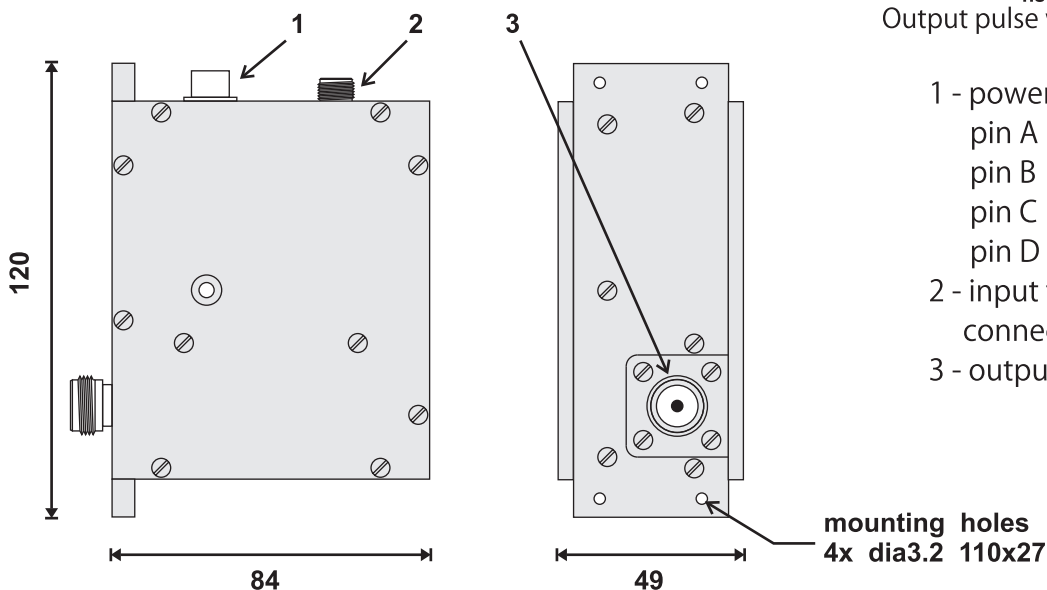
Based on Drift Step Recovery Diodes (DSRD) and Silicon Avalanche Shapers (SAS) - new types of semiconductor devices which allow to obtain best in class voltage rise rate, high reliability, low jitter and long operation life time.

PPG-5/16 pulse generator has been designed for ultra wide band (UWB) radars and communication systems as well as other applications which requires high voltage picoseconds rise time pulses. Compact and reliable it provides narrow waveform pulses with 50 kV/ns rise rate. Very low jitter allows precise synchronization of many generators in antenna array. PPG-5/16 has external triggering only and external DC power supply.

Pulse amplitude (p-p)	4.5 .. 6 kV
Pulse polarity	positive
Pulse rise time (fast part)	100 ps
Pulse width (FWHM)	400 ps
Max repetition rate	16 kHz
Jitter (RMS)	10 ps
Output connector	N type
Input triggering connector	SMA type
Triggering pulse	+5V, 10..100ns width
Power supply	DC +24V, 0.2A DC +125V, 0.3A



Output pulse waveform



- 1 - power supply connector
pin A DC+24V
pin B GND (DC+24V)
pin C GND (DC+125V)
pin D DC+125V
- 2 - input triggering SMA connector
- 3 - output N-type connector

*) All dimensions are in mm